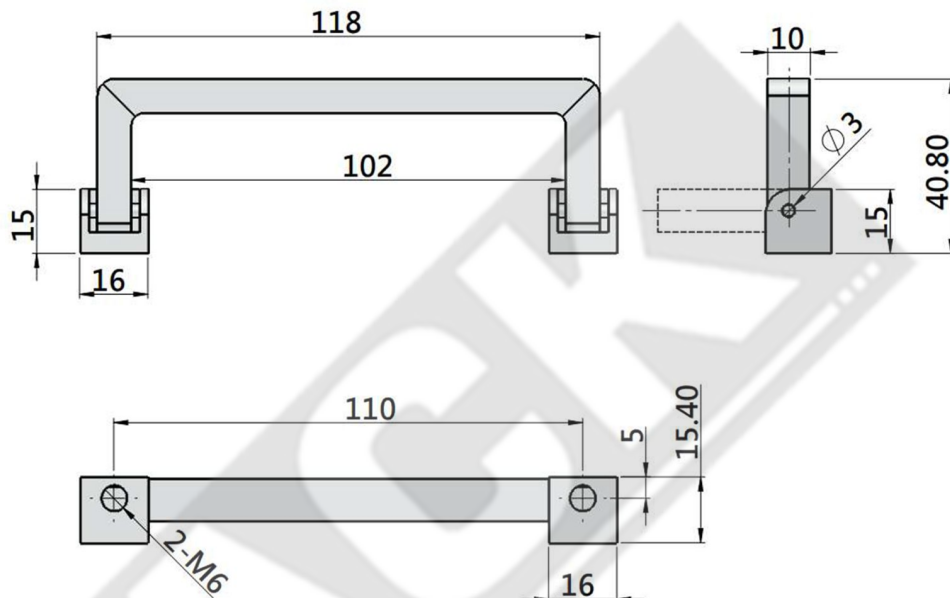
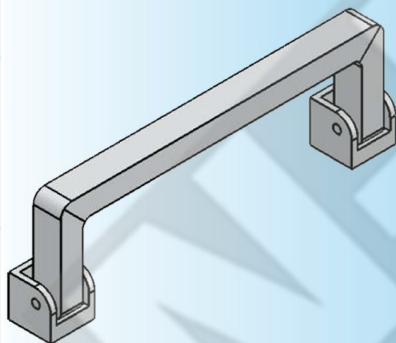


For Product Step File or 3D Model Send a Request Mail To info@nrack.com

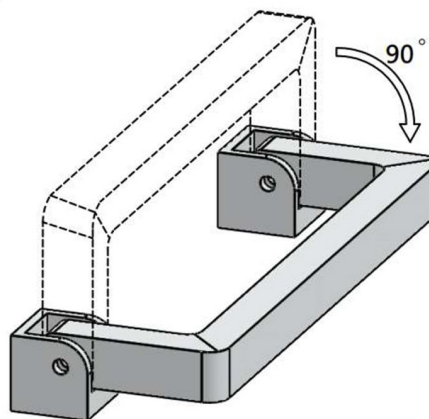
Photo View



3D Rendered View



FOLDABLE HANDLE



PL - 039

- Material: Zinc Die Casting
- Finish: Pocked Chrome Plating